

# KP612

## 12 Inch 2-Way Full Range Loudspeaker System

### Professional Series

### Key Features:

- ▶ 12" Differential Drive® woofer for high-power capacity and very lightweight
- ▶ 1.5" annular polymer diaphragm compression driver
- ▶ Enclosure constructed of 15 mm plywood with rugged durable painting
- ▶ 70° x 60° coverage pattern for even and smooth response on and off axis
- ▶ Attractive 16 gauge protective screen backed steel grille
- ▶ Precision engineered crossover for optimal power response and performance in the vocal midrange region
- ▶ Single position pole socket for applications requiring pole mounting
- ▶ SonicGuard™ protects high frequency driver from excess power without interrupting the performance
- ▶ Rotatable JBL ENTERTAINMENT logo for easy coherence to your application



### Applications:

- ▶ KTV sound reinforcement
- ▶ Bar and club live or pre-recorded sound reinforcement
- ▶ High-performance satellite speaker for use with subwoofers

The KP612 is a premium high-output lightweight full-range loudspeaker.

The KP612 uses a JBL 262H-1 305 mm (12 in) Differential Drive® woofer and a 2408H-1 37.5 mm (1.5 in) annular polymer diaphragm, neodymium compression driver for 350 watts power capacity. 70° x 60° coverage pattern provides smooth, even coverage whether used in the vertical or horizontal orientation. The high-slope passive network minimizes band overlap.

The enclosure is constructed of 15 mm multi-ply high quality plywood and finished in a durable black paint coating. The trapezoid enclosure is fitted with dual Neutrik NL4MP connector for loop thru connection, fifteen M10 threaded suspension points, a 35 mm pole mount. It utilizes a 16 gauge protective screen backed steel grille to provide driver protection with a very professional appearance.

### Specifications:

#### System:

|  |                         |
|--|-------------------------|
| System Type:   | 12", 2-way, bass-reflex |
| Frequency Range (-10 dB) <sup>1</sup> :                  | 71 Hz - 20 KHz          |
| Frequency Response (±3 dB) <sup>1</sup> :                | 90 Hz - 20 KHz          |
| Sensitivity (1w/1m) <sup>1</sup> :                       | 97 dB                   |
| Nominal Impedance:                                       | 8 Ohms                  |
| Maximum SPL:   | 124 dB (130 dB peak)    |
| Power Rating <sup>2</sup> :<br>(Continuous/Program/Peak) | 350 W/700 W/1400 W      |
| Coverage Pattern:  | 70° x 60° (H x V)       |

#### Physical:

|                         |   |
|-------------------------|---|
| Dimensions (H x W x D): | 600 mm x 350 mm x 382 mm<br>23.6 in x 13.8 in x 15.0 in |
| Net Weight:             | 14.7 Kg (32.5 lbs)                                      |
| LF Driver:              | 1 x JBL 262H-1  |
| HF Driver:              | 1 x JBL 2408H-1   |
| Input Connectors:       | 2 x Neutrik® Speakon® NL4MP                             |
| Enclosure Construction: | Trapezoid, 15 mm, plywood                               |

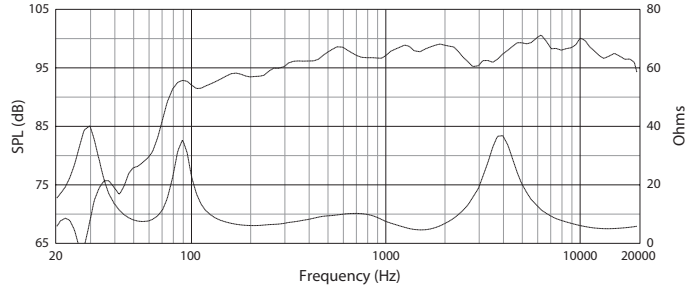
<sup>1</sup> Full space (4π) conditions

<sup>2</sup> IEC pink noise with 6 dB crest factor, in frequency range for 2 hours

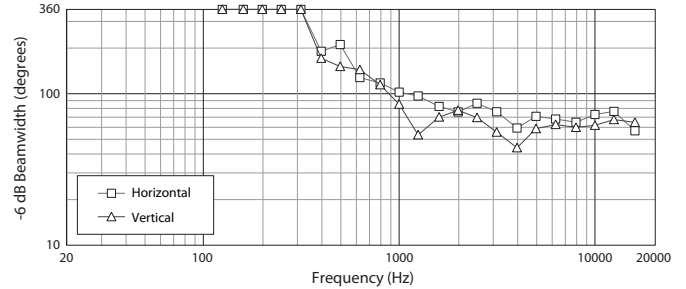
JBL continually engages in research related to product improvement. Some materials, production methods and design refinements are introduced into existing products without notice as a routine expression of that philosophy. For this reason, any current JBL product may differ in some respect from its published description, but will always equal or exceed the original design specifications unless otherwise stated.

# ▶ KP612 12 Inch 2-Way Full Range Loudspeaker System

## Frequency Response and Impedance:

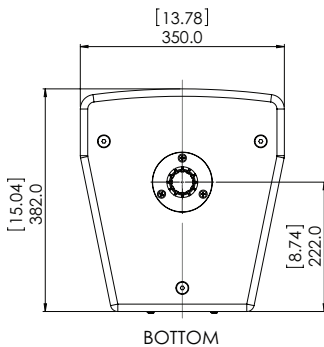
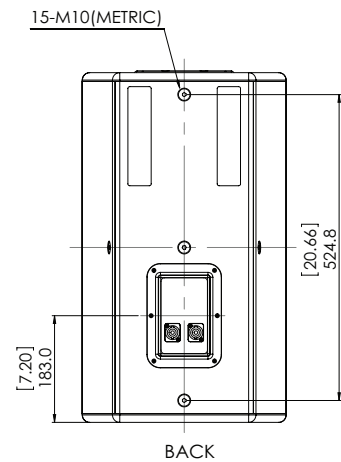
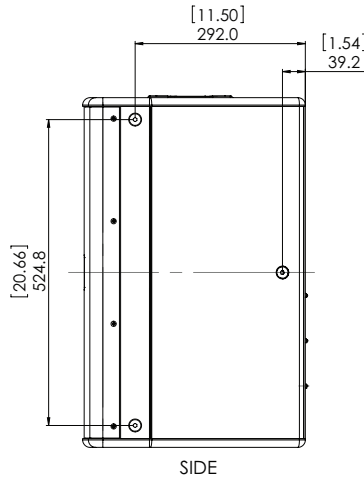
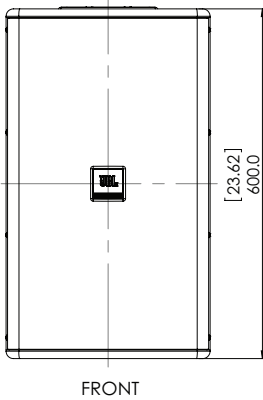
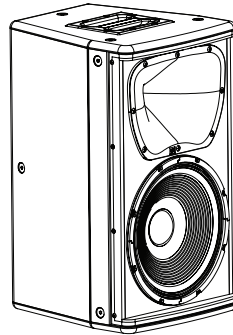
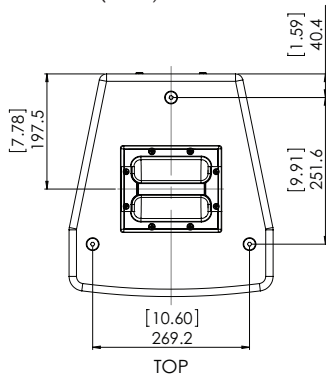


## Beamwidth:



## Dimensions:

Dimensions in mm (inch)



JBL Professional  
 8500 Balboa Boulevard, P.O. Box 2200  
 Northridge, California 91329 U.S.A.  
 © Copyright 2011 JBL Professional  
 www.jblpro.com